

Rocket (14212Final4fin.ork)

File Edit Analyze Help

Rocket design Flight simulations

Rocket

- Sustainer
 - Nose cone
 - Egg 1
 - Egg 2
 - Body tube
 - Tube coupler
 - Bulkhead
 - Altimeter
 - Body tube
 - Parachute 1
 - Parachute 2
 - Inner Tube
 - Centering ring
 - Centering ring
 - Freeform fin set

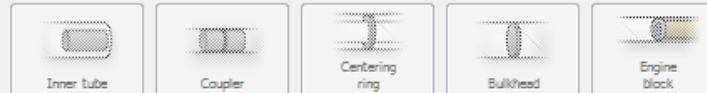
- Move up
- Move down
- Edit
- New stage
- Delete

Add new component

Body components and fin sets



Inner component



Mass objects



View Type: Side view



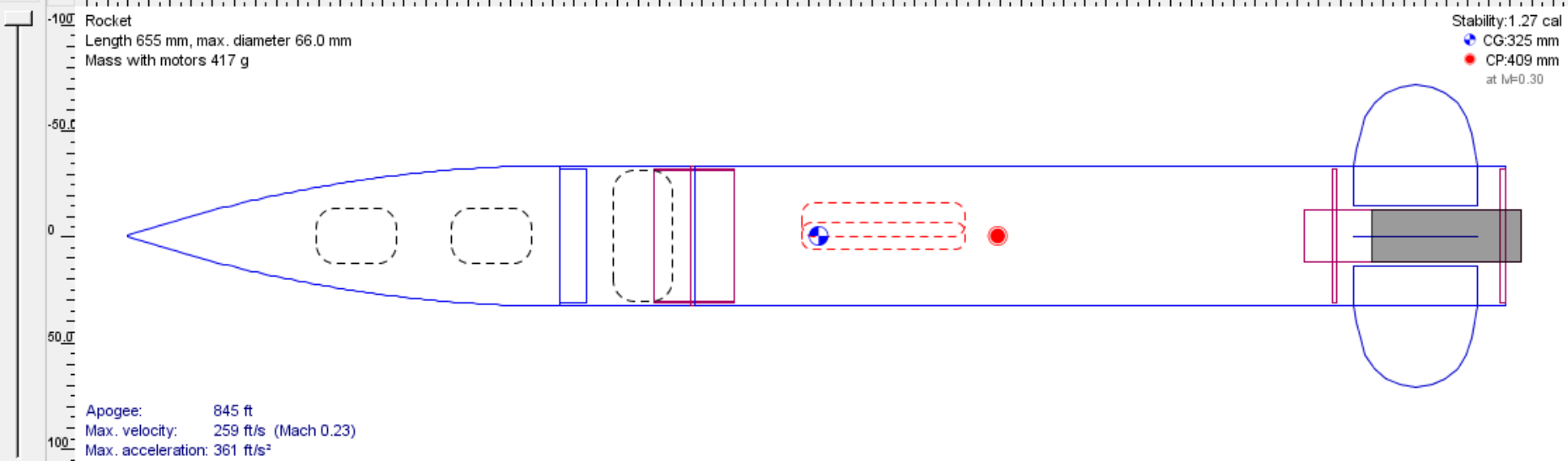
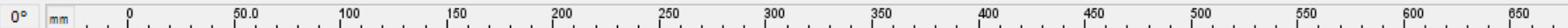
Fit (40%)



Stage 1

Flight configuration: [E28-7]

Edit



Click to select Shift-click to select other Double-click to edit Click-drag to move

	Name	Configuration	Velocity off rod	Apogee	Velocity at depl...	Max. velocity	Max. acceleration	Time to apogee	Flight time	Ground hit velocity
✓	Simulation 1	[E28-7]	66.8 ft/s	840 ft	33.2 ft/s	258 ft/s	364 ft/s ²	7.09 s	49.9 s	19.6 ft/s
✓	Simulation 2	[E28-7]	66.8 ft/s	841 ft	35.5 ft/s	258 ft/s	364 ft/s ²	7.07 s	49.8 s	19.6 ft/s
✓	Simulation 3	[E28-7]	66.8 ft/s	841 ft	35.3 ft/s	258 ft/s	364 ft/s ²	7.1 s	49.8 s	19.6 ft/s

View Type: 3D Figure

Fit (40%)

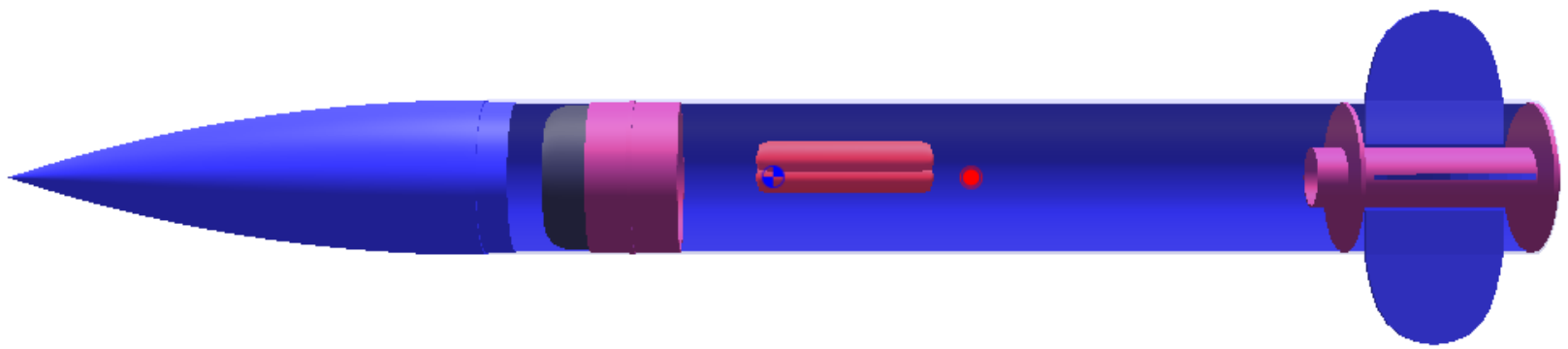
Stage 1

Flight configuration: [E28-7]

Edit

0°
 Rocket
 Length 655 mm, max. diameter 66.0 mm
 Mass with motors 417 g

Stability: 1.27 cal
 CG: 325 mm
 CP: 409 mm
 at M=0.30



Apogee: 845 ft
 Max. velocity: 259 ft/s (Mach 0.23)
 Max. acceleration: 361 ft/s²

Click to select Shift-click to select other Double-click to edit Click-drag to move