

Rocket

- Sustainer
  - Nose cone
    - Egg 1
    - Egg 2
  - Body tube
    - Tube coupler
    - Bulkhead
    - Altimeter
  - Body tube
    - Parachute 1
    - Parachute 2
  - Inner Tube
    - Centering ring
    - Centering ring
    - Freeform fin set

- Move up
- Move down
- Edit
- New stage
- Delete

Add new component

Body components and fin sets



Inner component



Mass objects



View Type: Side view



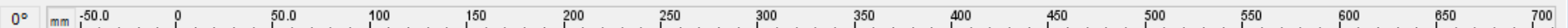
Fit (36.2%)



Stage 1

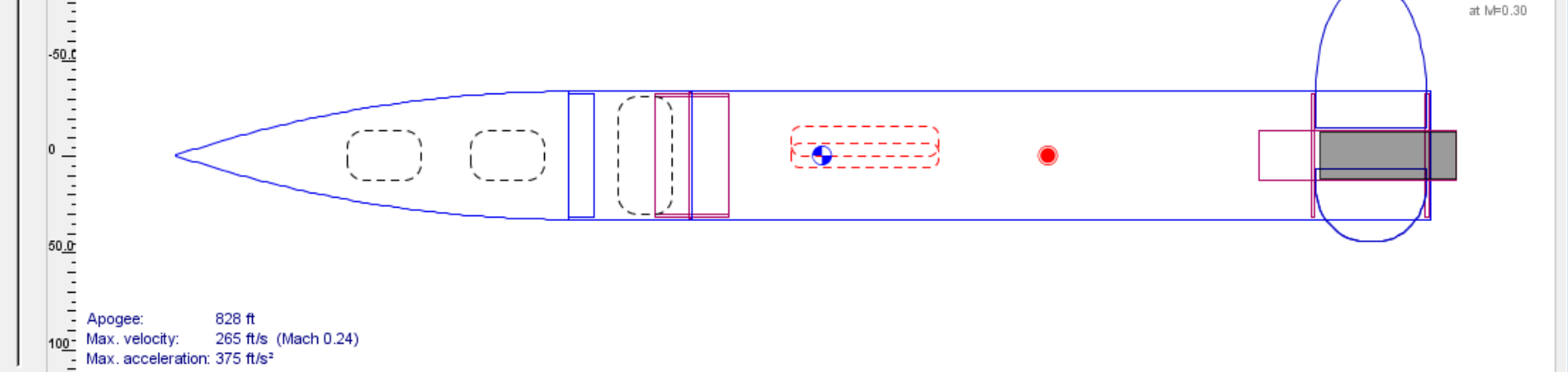
Flight configuration: [E28-7]

Edit



Rocket  
Length 660 mm, max. diameter 66.0 mm  
Mass with motors 403 g

Stability: 1.76 cal  
CG: 334 mm  
CP: 450 mm  
at  $M=0.30$



Apogee: 828 ft  
Max. velocity: 265 ft/s (Mach 0.24)  
Max. acceleration: 375 ft/s<sup>2</sup>

Click to select Shift+click to select other Double-click to edit Click+drag to move

New simulation

Edit simulation

Run simulations

Delete simulations

Plot / export

	Name	Configuration	Velocity off rod	Apogee	Velocity at depl...	Max. velocity	Max. acceleration	Time to apogee	Flight time	Ground hit velocity
✓	Simulation 1	[E28-7]	69.0 ft/s	824 ft	34.7 ft/s	263 ft/s	378 ft/s <sup>2</sup>	6.92 s	49.6 s	19.3 ft/s
✓	Simulation 2	[E28-7]	69.0 ft/s	827 ft	36.9 ft/s	264 ft/s	378 ft/s <sup>2</sup>	6.92 s	49.8 s	19.1 ft/s
✓	Simulation 3	[E28-7]	69.0 ft/s	826 ft	35.9 ft/s	264 ft/s	378 ft/s <sup>2</sup>	6.96 s	49.7 s	19.2 ft/s

View Type: 3D Figure

Fit (36.2%)

Stage 1

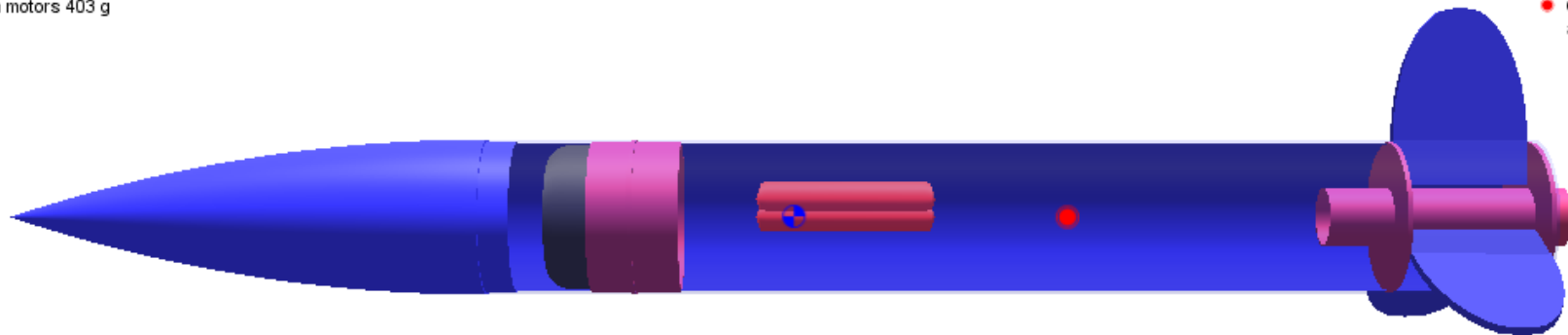
Flight configuration: [E28-7]

Edit

0°

Rocket  
 Length 660 mm, max. diameter 66.0 mm  
 Mass with motors 403 g

Stability: 1.76 cal  
 • CG: 334 mm  
 • CP: 450 mm  
 at M=0.30



Click to select Shift+click to select other Double-click to edit Click+drag to move