

B

B

A

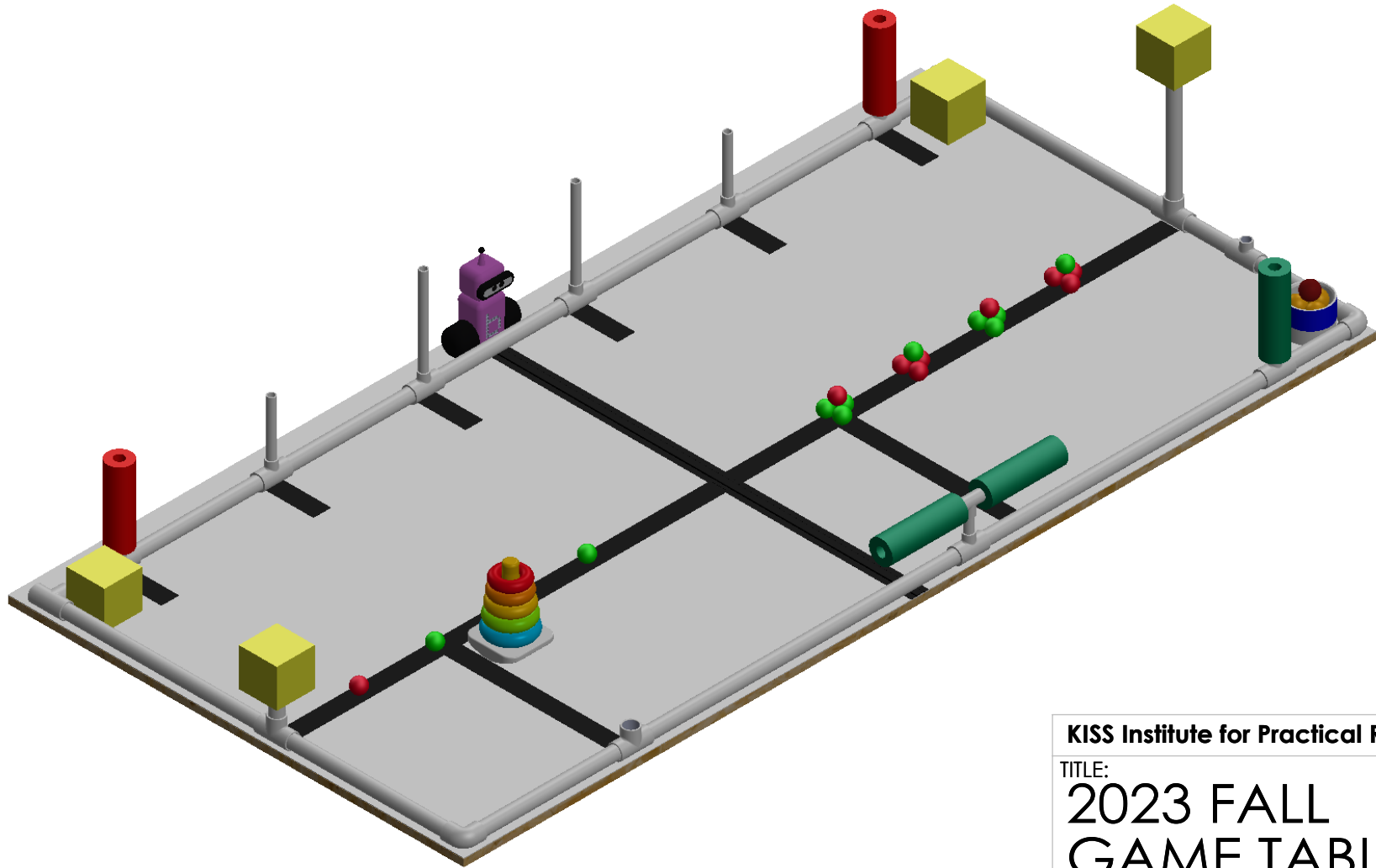
A

2

1

2

1



KISS Institute for Practical Robotics

TITLE:
**2023 FALL
GAME TABLE**

SIZE	DWG. NO.	REV
A	Cover	

SCALE: 1:12	SHEET 1 OF 8
-------------	--------------

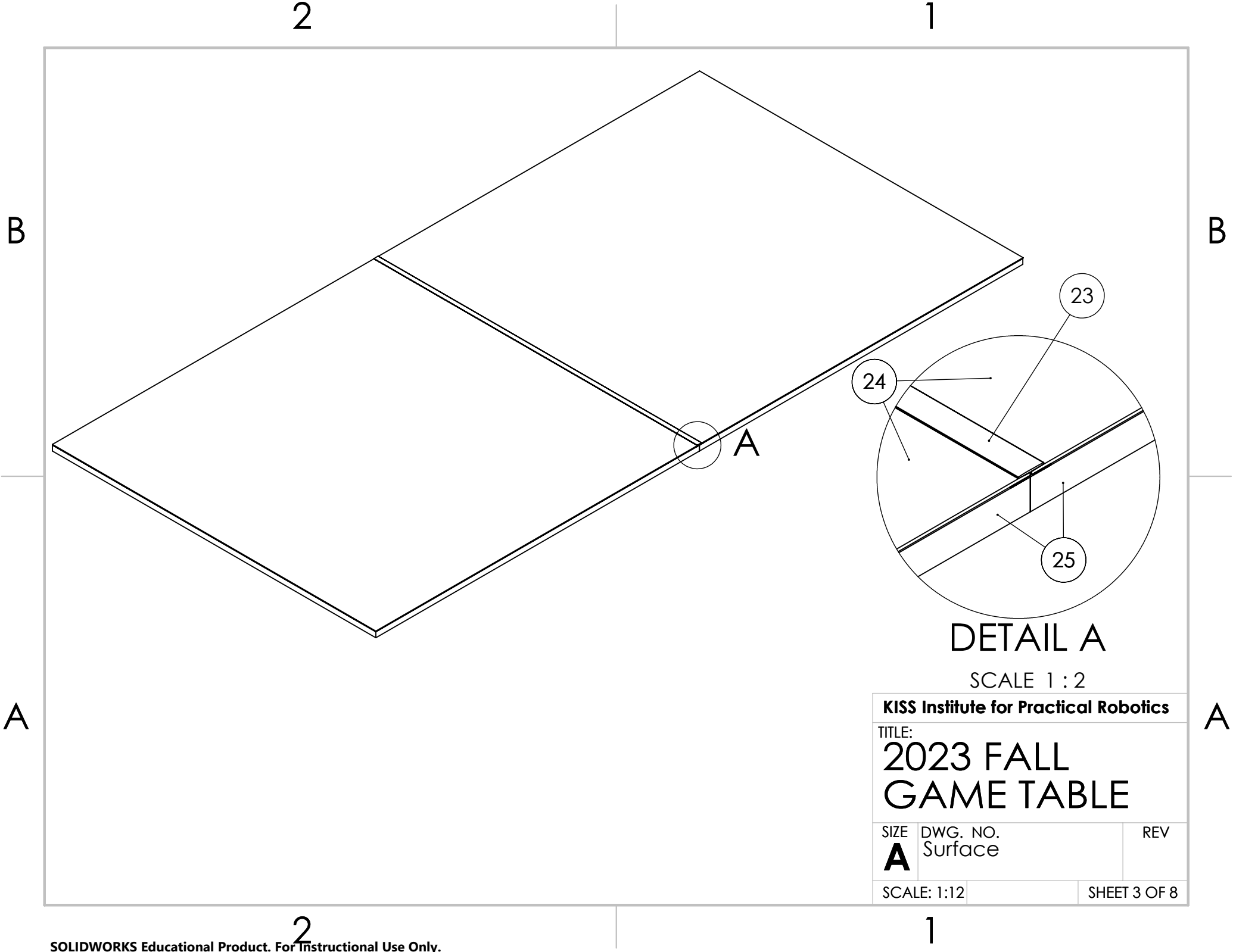
2

1

ITEM NO.	PART NUMBER	DESCRIPTION	Length	QTY.	
1	3 inch - 1/2" PVC	0.5" ID SCH 40	3	5	Please note that this list is only for the fall game table. There will be more for the full game at the start of the year. If you would like to get more cutting in you can double the pieces in this list to get part of the two halves of the game table for the spring.
2	4.25 inch - 1/2" PVC	0.5" ID SCH 40	4.250000	1	
3	6.5 inch - 1/2" PVC	0.5" ID SCH 40	6.500000	2	
4	10 inch - 1/2" PVC	0.5" ID SCH 40	10.000000	2	
5	3.25 inch pvc	1" ID SCH 40	3.250000	1	
6	6.000 inch PVC	1" ID SCH 40	6.000000	2	
7	6.375 inch pvc	1" ID SCH 40	6.375000	1	
8	7.75 inch pvc	1" ID SCH 40	7.750000	1	
9	10.75 inch pvc	1" ID SCH 40	10.750000	1	
10	12.500 inch PVC	1" ID SCH 40	12.500000	1	
11	15 inch pvc	1" ID SCH 40	15.000000	5	
12	16.25 inch pvc	1" ID SCH 40	16.250000	1	
13	18.25 inch pvc	1" ID SCH 40	18.250000	1	
14	22.375 inch pvc	1" ID SCH 40	22.375000	2	
15	31.125 inch PVC	1" ID SCH 40	31.125000	1	
16	34.375 inch PVC	1" ID SCH 40	34.375000	1	
17	Black duct tape	3M Black Duct Tape - Model #3920-BK		10	
18	1" Elbow Connector	Connector SCH 40		2	
19	1" T Connector	Connector SCH 40		5	
20	1" x 0.5" T Connector	Connector SCH 40		9	
21	1/2" T Connector	Connector SCH 40		1	
22	3" PVC Coupler	Connector SCH 40 Diam: 4", Height: 3.2"		1	
23	FRP Divider 48" long	White - cut from one 8' long part		1	
24	FRP 4' x 4'	White - cut from two 4' x 8' sheets		2	
25	Particle Board 4' x 4' x 3/8" thick	or similar - can be cut from two 4' x 8' sheets		2	
					KISS Institute for Practical Robotics
					TITLE: 2023 FALL GAME TABLE
SIZE		DWG. NO.		REV	
A		BOM			
SCALE: 1:50				SHEET 2 OF 8	

2

1



DETAIL A

SCALE 1 : 2

KISS Institute for Practical Robotics		
TITLE: 2023 FALL GAME TABLE		
SIZE A	DWG. NO. Surface	REV
SCALE: 1:12	SHEET 3 OF 8	

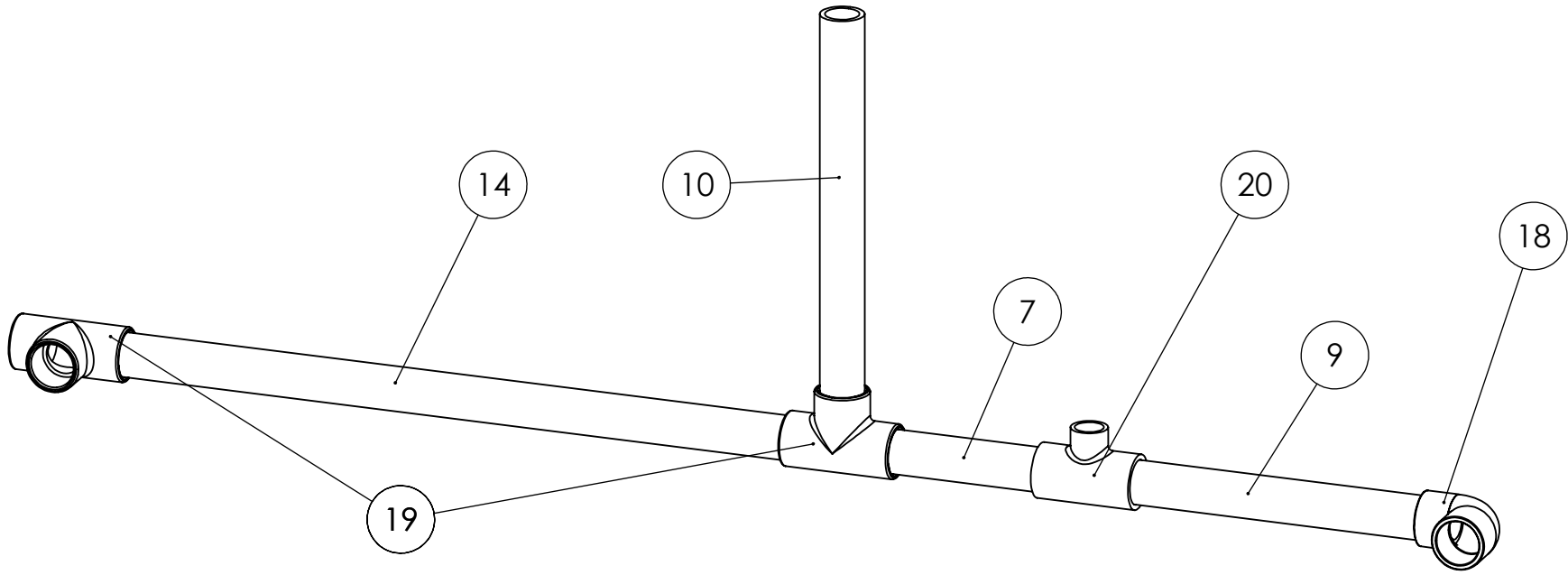
2

1

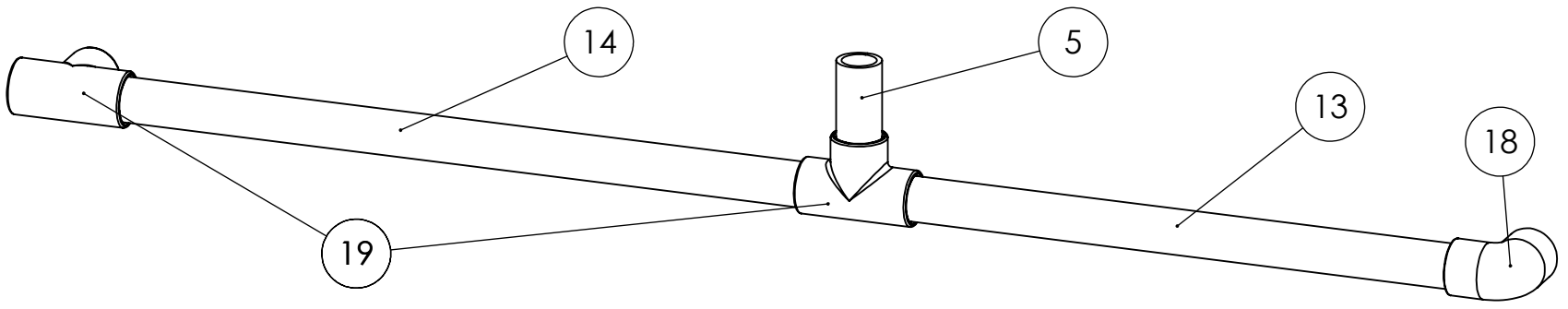
A

B

B



B



A

A

KISS Institute for Practical Robotics

TITLE:
**2023 FALL
 GAME TABLE**

SIZE	DWG. NO.	REV
A	Section A & B	

SCALE: 1:5	SHEET 4 OF 8
------------	--------------

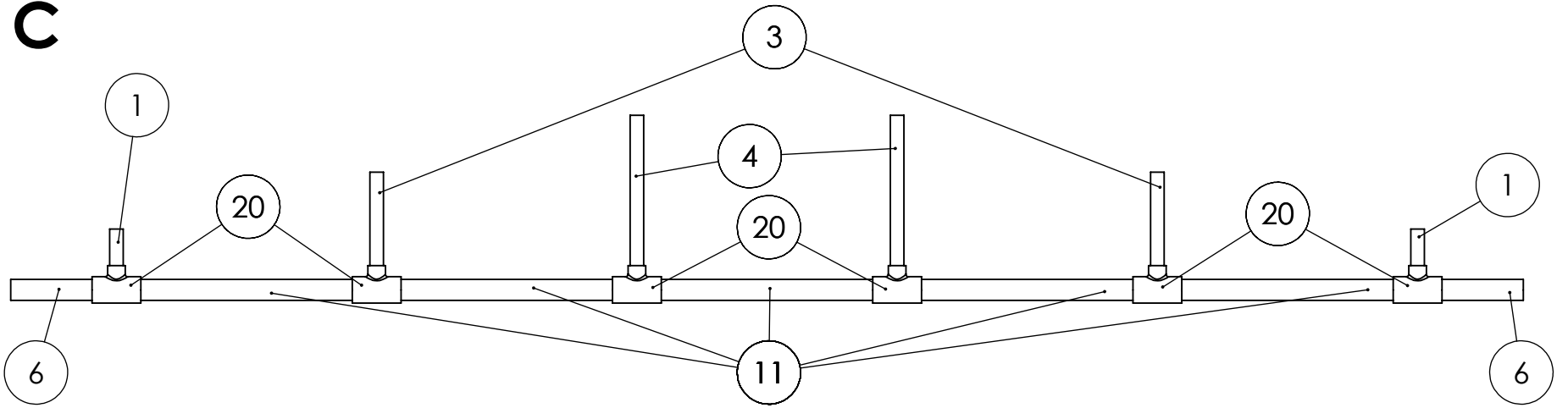
2

1

2

1

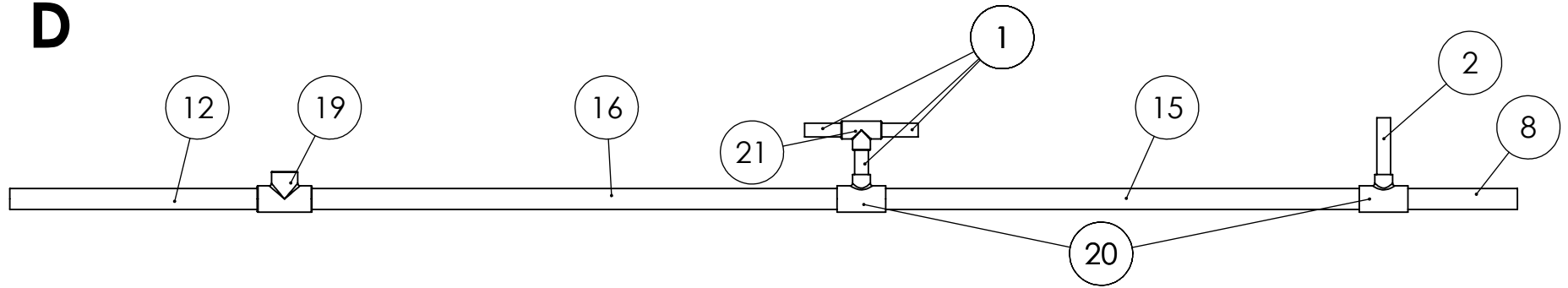
C



B

B

D



A

A

KISS Institute for Practical Robotics

TITLE:

2023 FALL
GAME TABLE

SIZE

A

DWG. NO.

Section C & D

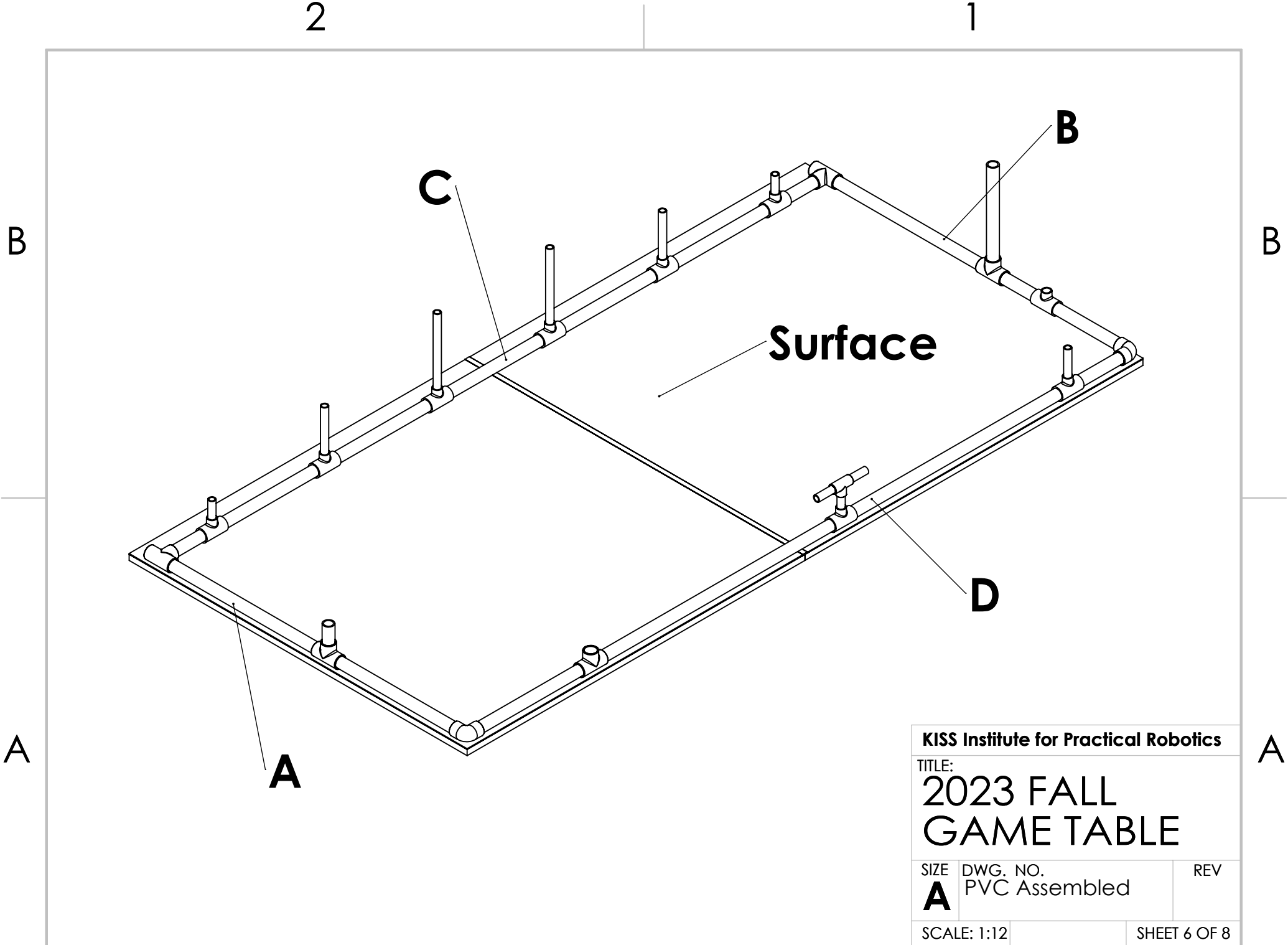
REV

SCALE: 1:10

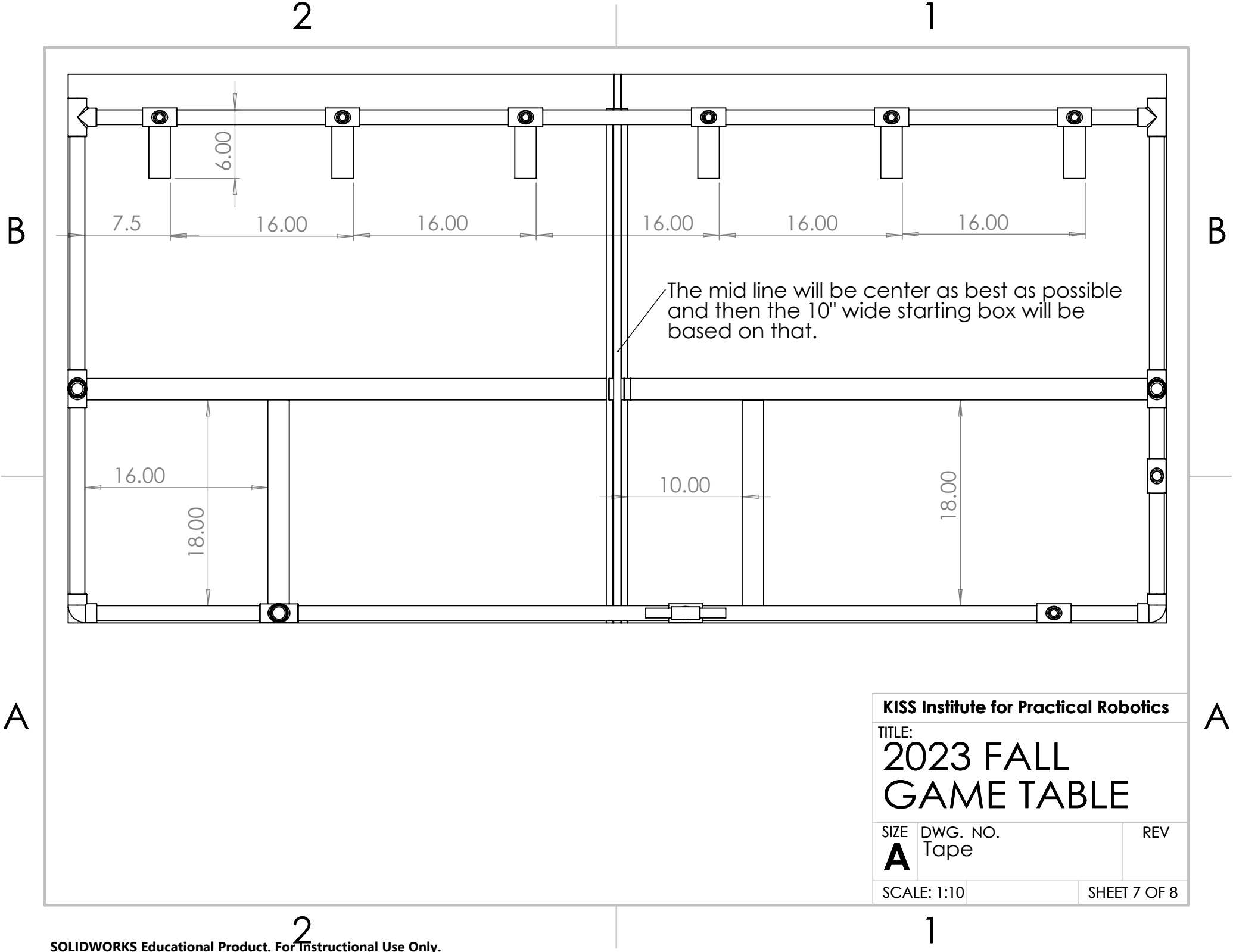
SHEET 5 OF 8

2

1



KISS Institute for Practical Robotics		
TITLE: 2023 FALL GAME TABLE		
SIZE A	DWG. NO. PVC Assembled	REV
SCALE: 1:12	SHEET 6 OF 8	



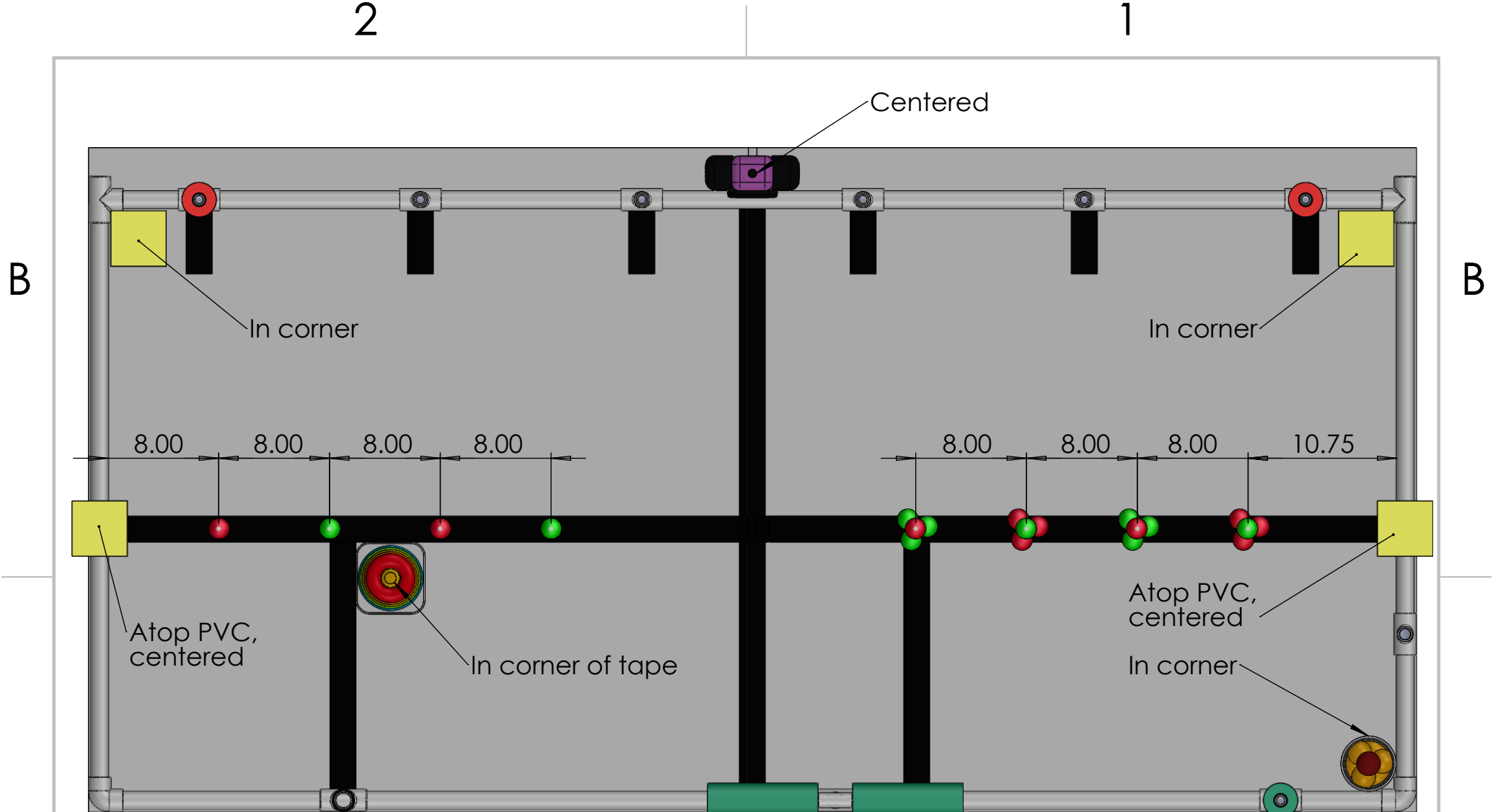
The mid line will be center as best as possible and then the 10" wide starting box will be based on that.

KISS Institute for Practical Robotics

TITLE:
**2023 FALL
 GAME TABLE**

SIZE A	DWG. NO. Tape	REV
------------------	------------------	-----

SCALE: 1:10	SHEET 7 OF 8
-------------	--------------



KISS Institute for Practical Robotics

TITLE:
**2023 FALL
 GAME TABLE**

SIZE	DWG. NO.	REV
A	Game Pieces	

SCALE: 1:10 SHEET 8 OF 8